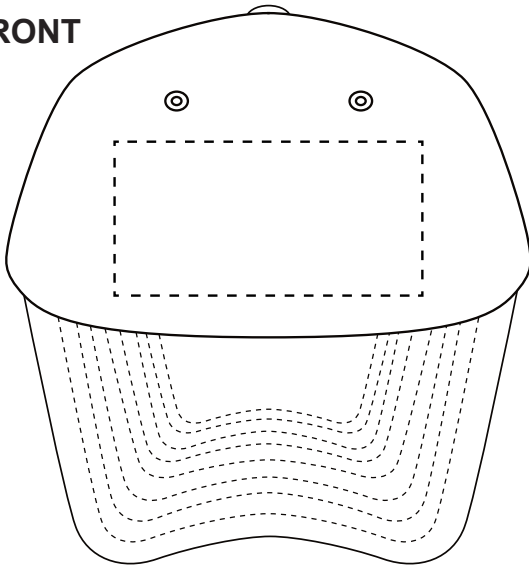
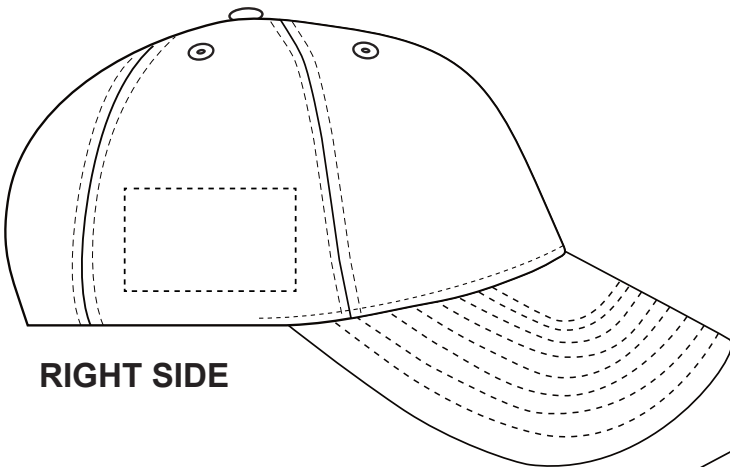
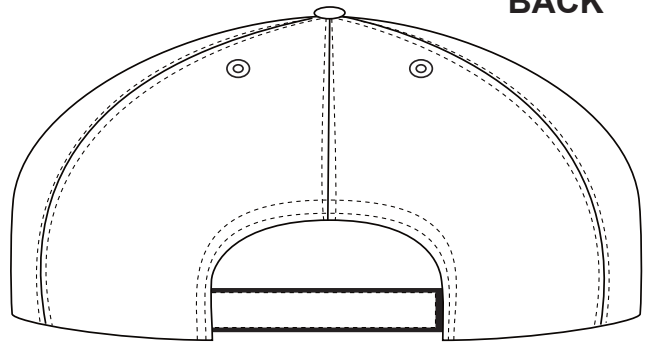


ARTWORK FOR APPROVAL

FRONT

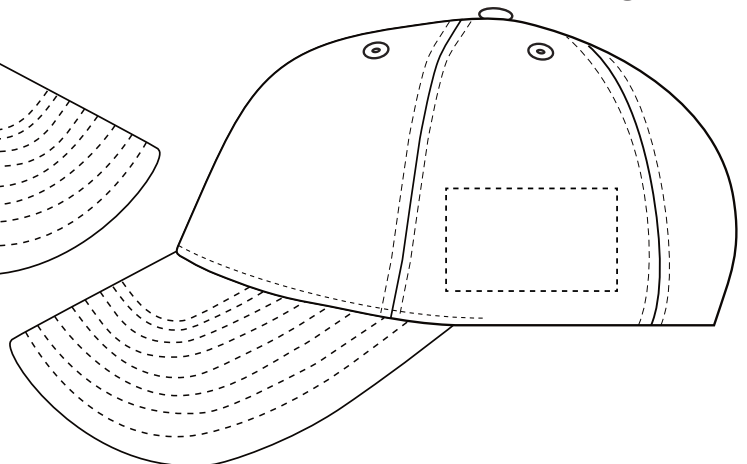


BACK



RIGHT SIDE

LEFT SIDE



ORIENT COLLECTION		OCSH208	
Order No: Qty: Item Size: Maximum Print Area(s): Front: 11(w) x 6(h) cm; Back: 6(w) x 4(h) cm; Sides: 10(w) x 4(h) cm Actual Print Size: Item colour: Print colour: Print sides: Artwork Date:	<input type="checkbox"/> Repeat order, Previous PO: _____ <input type="checkbox"/> New order <input type="checkbox"/> Factory sample supplied Note:	Sample Options: <input type="checkbox"/> Physical sample needed (extra 1week and AU\$65.00 cost) <input type="checkbox"/> Sample Image needed <input type="checkbox"/> No sample needed (Direct product from artwork approval) <input type="checkbox"/> Approved <input type="checkbox"/> Alterations as marked Name: Company: Signed: Date:	

Term and conditions:

We will be free of liability should your order be delayed due to circumstances beyond our control. Such as Port/Vessel delays due to Weather, or labour action. As PMS colours are usually mixed by hand, from time to time there could be a colour difference from the requested pms to the final product. This is due to ink colour, substrate being printed and decoration type, this is unavoidable on the final product and customer should expect that some variance may show up dependent on the factors above. We considers this as acceptable. Please note that differences in printing could be up to 2 shades in PMS. All artwork have to be approved in 36 hours when receiveing. Production will not commence without sample option selected.